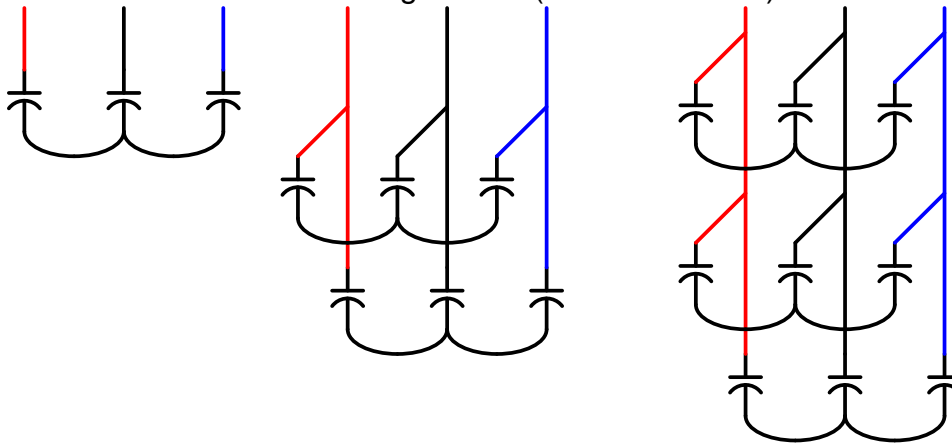
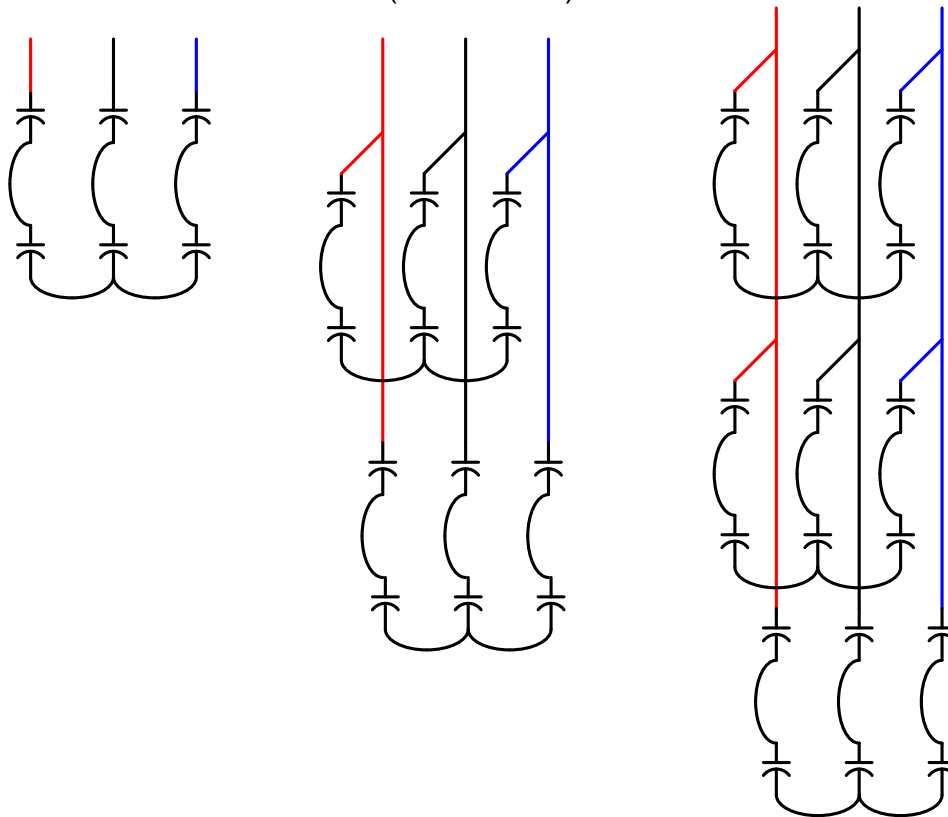


LPF and SWF Kit Wiring Harness Configurations

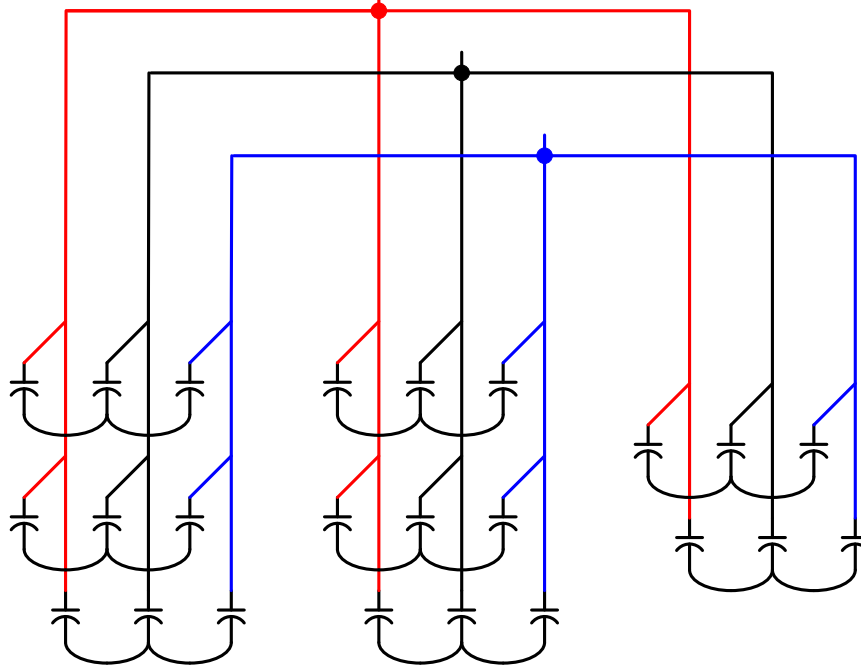
Standard configuration. (200V thru 480V)



When two capacitors are used in series per phase.
(600 & 690V)



Connecting multiple (wye connected) capacitor groups in parallel.
(200-480V)



Connecting multiple (wye connected) capacitor groups in parallel.
(600-690V)

