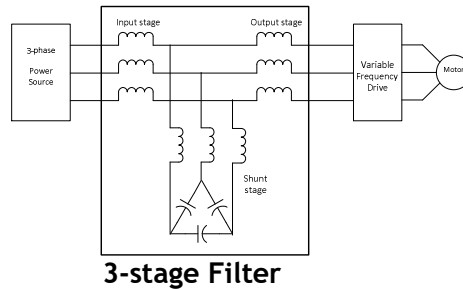
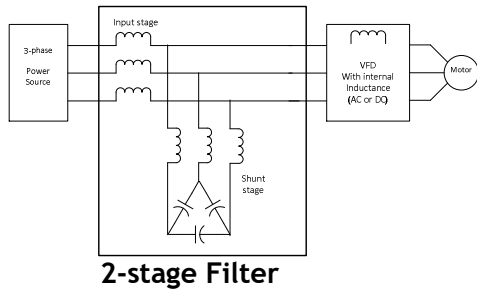


# Technical Data - IHF

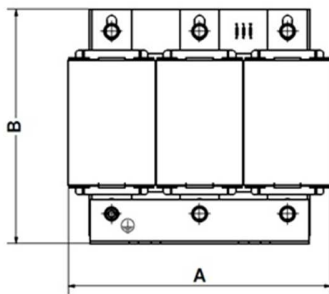
## 440-480 Volts, 60Hz



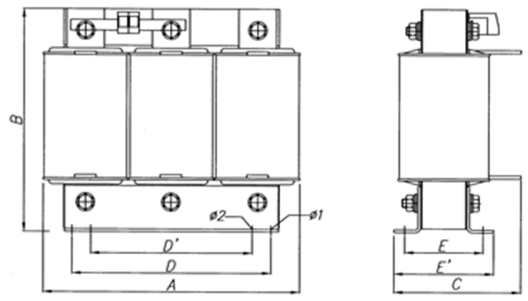
**IHF56-0008**

### Reactors:

#### Input & Output Stage Reactor



#### Shunt Stage Reactor



Note: Shunt stage reactor includes temperature switch

### Reactors for input stage and shunt stage (2-stage Filter):

2-stage	Reactor p/n	mH	Terminals	A [mm/inch]	B [mm/inch]	C [mm/inch]	Weight [kg/lbs]	Watts
Input Stage	ACL65-0008	6.00	Block	147 / 5.8	152 / 6	101 / 4	6.7 / 15	40
Shunt Stage	ACS43-0004	12.85	Block	149 / 5.8	152 / 6.0	89 / 4.0	6 / 13.2	50

### Optional Reactors for output stage (3-stage filter):

Suffix (Cat. No.)	Reactor p/n	mH	Terminals	A [mm/inch]	B [mm/inch]	C [mm/inch]	Weight [kg/lbs]	Watts
-A	PSD53-0008	9.00	Block	219 / 8.6	214 / 8.4	100 / 3.9	7.6 / 17	60
-B	ACL45-0008	4.90	Block	144 / 5.7	152 / 6.0	86 / 3.4	5.2 / 11.5	40
-C	ACL43-0008	2.95	Block	117 / 4.6	125 / 5.0	68 / 2.7	4.2 / 9.3	30
No suffix	n/a	n/a	n/a	n/a	n/a	n/a	n/a	n/a

### Capacitors:

	Qty	p/n	uF (3x Δ)	Diameter [mm/inch]	Height [mm/inch]	Weight [kg/lbs]	Watts
Shunt Stage	1	LKT 3.0-600-DD60	7.3	85 / 3.35	266 / 10.5	1.5 / 3.4	4