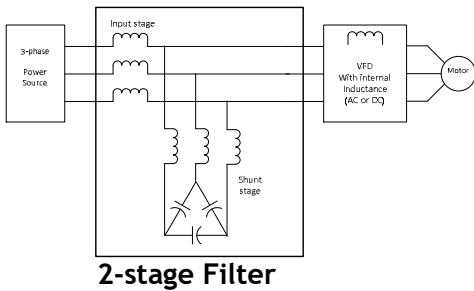


Technical Data - IHF

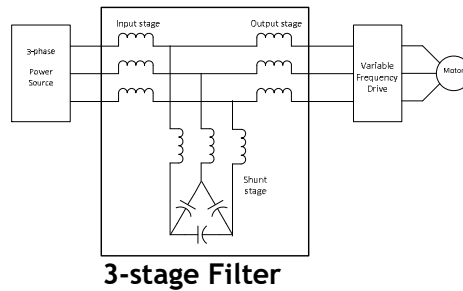
440-480 Volts, 60Hz



IHF56-1600



2-stage Filter

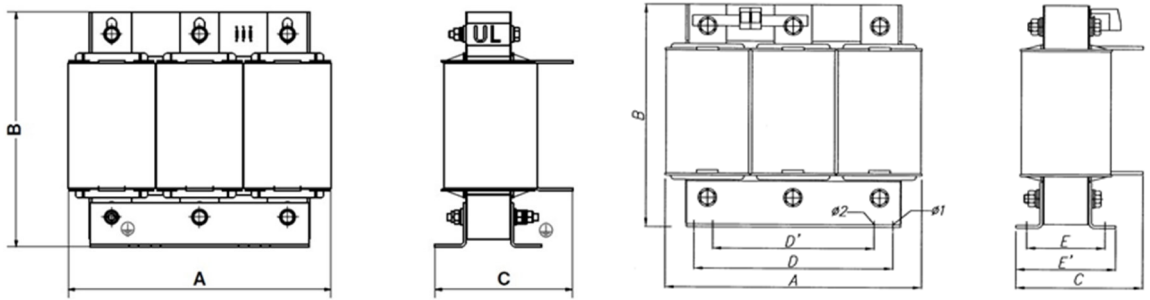


3-stage Filter

Reactors:

Input & Output Stage Reactor

Shunt Stage Reactor



Note: Shunt stage reactor includes temperature switch

Reactors for input stage and shunt stage (2-stage Filter): 3pcs of ACS43-0227 IN PARALLEL

2-stage	Reactor p/n	μH	Terminals	A [mm/inch]	B [mm/inch]	C [mm/inch]	Weight [kg/lbs]	Watts
Input Stage	ACL65-01600	31	Bus bar	480 / 19	836 / 32.9	371 / 14.6	332 / 732	1690
Shunt Stage	3x ACS43-0227	3x 210	Bus bar	420 / 16.5	370 / 14.6	226 / 8.9	3x 93 / 205	3x 710

Optional Reactors for output stage (3-stage filter):

Suffix (Cat. No.)	Reactor p/n	μH	Terminals	A [mm/inch]	B [mm/inch]	C [mm/inch]	Weight [kg/lbs]	Watts
-A								
-B								
-C								
No suffix	n/a	n/a	n/a	n/a	n/a	n/a	n/a	n/a

Capacitors: 3 sets of 8 capacitors (8 each with each ACS43-0227)

	Qty	p/n	uF (3x Δ)	Diameter [mm/inch]	Height [mm/inch]	Weight [kg/lbs]	Watts
Shunt Stage	8	LKT 22.5-600-DD60	8x 55.2	8x 85 / 3.35	8x 371 / 14.6	8x 2.1 / 4.9	700
	8	LKT 22.5-600-DD60	8x 55.2	8x 85 / 3.35	8x 371 / 14.6	8x 2.1 / 4.9	
	8	LKT 22.5-600-DD60	8x 55.2	8x 85 / 3.35	8x 371 / 14.6	8x 2.1 / 4.9	